



From : DPA

Date : 11 July 2016

Loose cargo gear markings

Dear Captain

Please be aware that one of our vessels in Brisbane, Australia was off hired recently due to the cargo loose gears distinguishing marks on the sheave block, shackles and hooks not being fully visible as they had rusted away. Refer below photos.



NO. 1 CARGO BLOCK



NO. 1 UPPER SHACKLE



NO. 1 LOWER SHACKLE



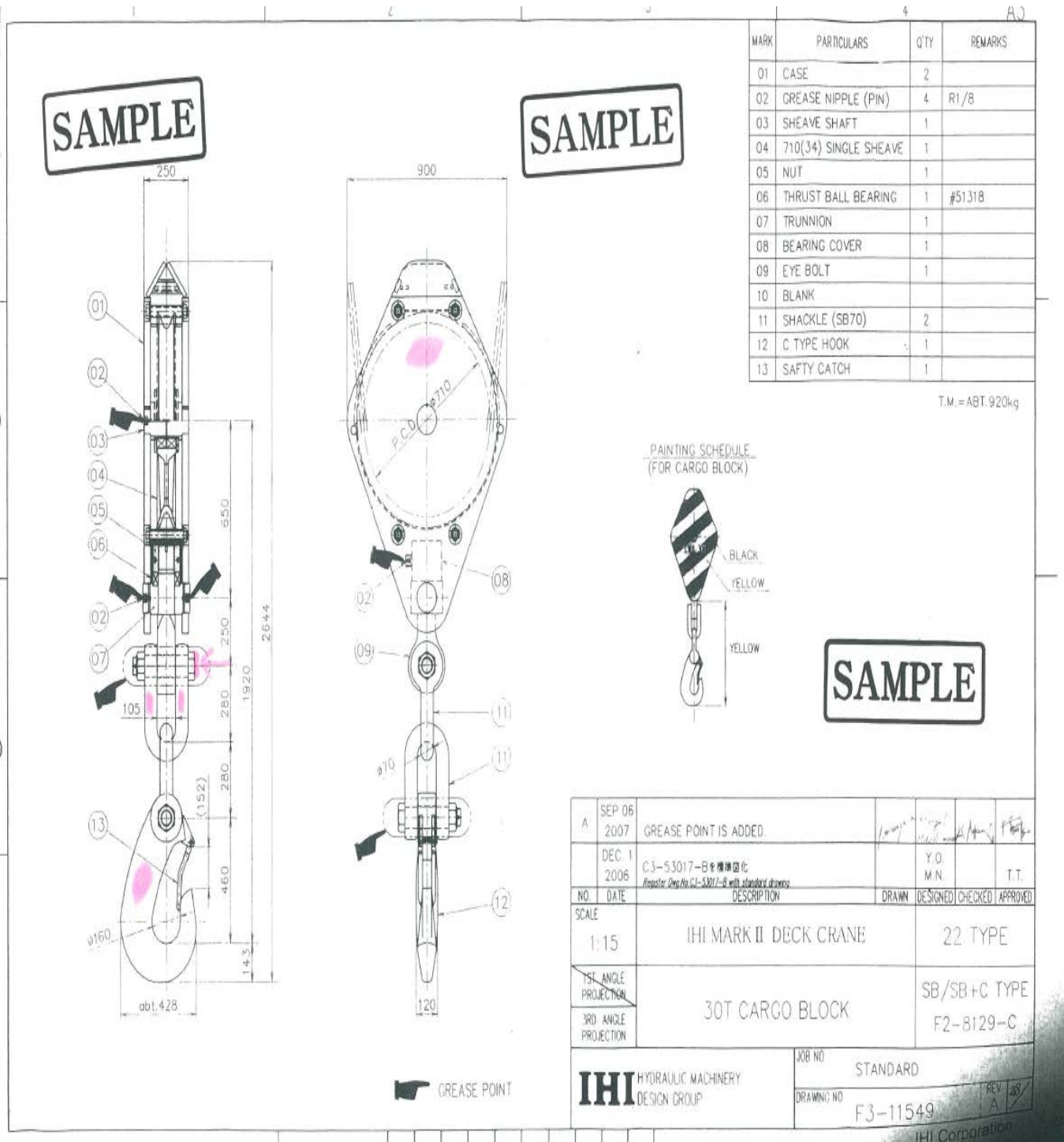
NO. 1 CARGO HOOK

These had to be remarked in a different area and a Class NK surveyor had to attend to verify the new stamps before cargo could be worked.

To prevent recurrence, we request all vessels to ensure compliance with the following:



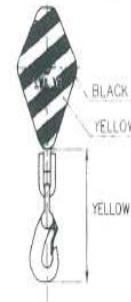
➤ Identify crane diagram indicating location of markings



MARK	PARTICULARS	QTY	REMARKS
01	CASE	2	
02	GREASE NIPPLE (PIN)	4	R1/8
03	SHEAVE SHAFT	1	
04	710(34) SINGLE SHEAVE	1	
05	NUT	1	
06	THRUST BALL BEARING	1	#51318
07	TRUNNION	1	
08	BEARING COVER	1	
09	EYE BOLT	1	
10	BLANK		
11	SHACKLE (SB70)	2	
12	C TYPE HOOK	1	
13	SAFTY CATCH	1	

T.M. = ABT. 920kg

PAINTING SCHEDULE  
(FOR CARGO BLOCK)



**SAMPLE**

A	SEP 06 2007	GREASE POINT IS ADDED.				
	DEC 1 2006	C3-53017-B 全機構造強化 <i>Register Des No. C3-53017-B with standard drawings</i>		Y.O. M.N.		T.T.
NO.	DATE	DESCRIPTION	DRAWN	DESIGNED	CHECKED	APPROVED
SCALE	1:15		IHI MARK II DECK CRANE		22 TYPE	
1ST ANGLE PROJECTION	30T CARGO BLOCK		SB/SB+C TYPE		F2-8129-C	
3RD ANGLE PROJECTION						
IHI HYDRAULIC MACHINERY DESIGN GROUP			JOB NO STANDARD		REV A	
			DRAWING NO F3-11549		IHI Corporation	



- Clean and locate the marked area on all the loose gear, varnish / paint the marks to prevent further deterioration of the marks.



Crane no. 4 sheave block U573-1



Crane no.4 SB70 shackles U573-2



Crane no.4 SB70 shackles U573-3



Crane no. 4 hook U573-4

- Ensure classification society approval stamp is present and legible on the loose gear



Marking by classification society



➤ Also ensure the markings on loose gear are as per the numbers indicated in the cargo gear certificate

PART 32  
Issue 2

COPY

CARGO HANDLING EQUIPMENT

Fome MO 32/2

**CERTIFICATE OF TEST AND EXAMINATION OF CARGO GEAR, BEING  
BLOCKS, CHAINS, RINGS, HOOKS, SHACKLES, SWIVELS, ETC**

Ship or store

Certificate No S14-2-A

<i>Distinguishing numbers or marks of articles</i>	<i>Description of articles</i>	<i>Material of articles</i>	<i>Number of articles tested</i>	<i>Proof load applied</i>	<i>Date of test</i>	<i>Safe working load</i>	<i>Name and address of makers or suppliers of articles</i>
S14-2-1	Moving Sheave Blocks	JIS SS400 etc	1	600KN	12-01-11	150KN	Euro Trading Japan Co., Ltd.
S14-2-2	BB70 Shackles	JIS S25C	1	600KN	12-01-11	300KN	No.9 KOWA BLDG 8-10, AKASAKA 1-CHOME, MINATO-KU, TOKYO 107-0052, JAPAN
S14-2-3	SB70 Shackles	JIS S25C	1	600KN	12-01-11	300KN	
S14-2-4	Hooks	JIS S45C	1	600KN	12-01-11	300KN	

Regards

Captain Rajaraman

DPA

**DISTRIBUTION**

- All Masters
- Crewing Managers
- Superintendents
- Marine Manager
- HSE Q Manager
- Training Manager